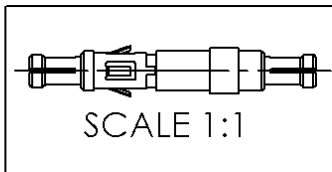
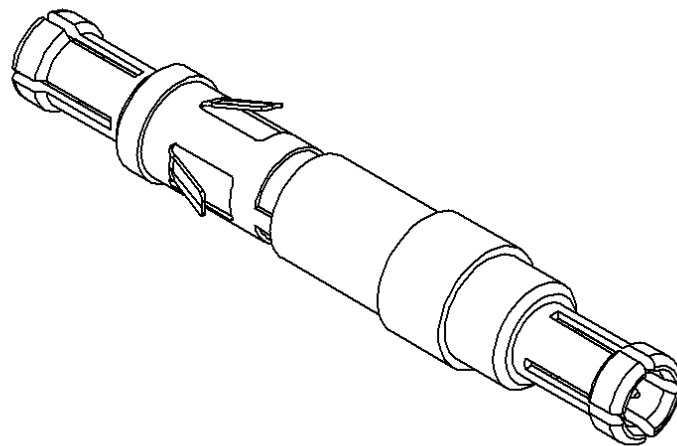
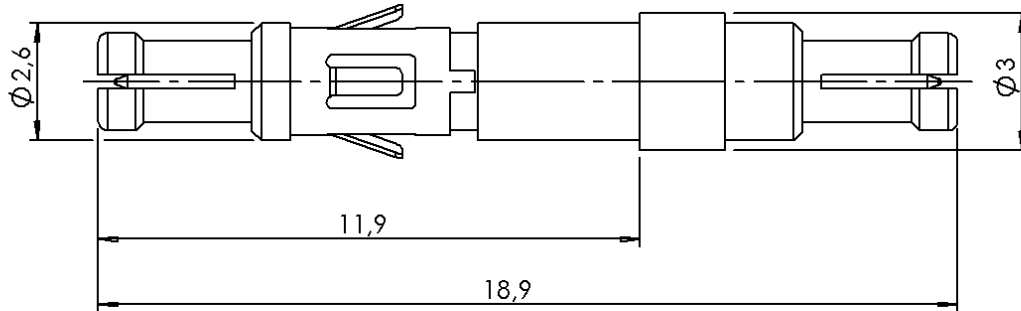


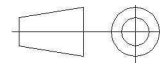
**RACCORD MALE-MALE DE PANNEAU 19MM**  
**(FOR P.C.B THICKNESS 3.2MM)**

**R199.001.733**

Series : MCC2



All dimensions are in mm.



COMPONENTS	MATERIALS	PLATING (µm)
BODY	BRONZE	NPGR
CENTER CONTACT	BRASS	NPGR
OUTER CONTACT	BRONZE	NPGR
INSULATOR	PTFE	
GASKET	-	-
OTHERS PARTS	-	-
-	-	-
-	-	-

Issue : 0816 C

In the effort to improve our products, we reserve the right to make changes judged to be necessary.



**RACCORD MALE-MALE DE PANNEAU 19MM**  
**(FOR P.C.B THICKNESS 3.2MM)**

**R199.001.733**

Series : MCC2

**PACKAGING**

Standard	Unit	Other
<b>100</b>	<b>'W' option</b>	<b>Contact us</b>

**SPECIFICATION**

**ELECTRICAL CHARACTERISTICS**

Impedance	<b>50</b>	$\Omega$
Frequency	<b>0-6</b>	GHz
VSWR	<b>1.12* + 0,0000</b>	x F(GHz) Maxi
Insertion loss	<b>0.2</b>	$\sqrt{F}(\text{GHz})$ dB Maxi
RF leakage	- (	- F(GHz)) dB Maxi
Voltage rating	<b>500</b>	Veff Maxi
Dielectric withstanding voltage	<b>750</b>	Veff mini
Insulation resistance	<b>5000</b>	M $\Omega$ mini

**ENVIRONMENTAL**

Operating temperature	<b>-25/+125</b>	$^{\circ}\text{C}$
Hermetic seal	<b>NA</b>	Atm.cm3/s
Panel leakage	<b>NA</b>	

**OTHER CHARACTERISTICS**

Assembly instruction

Others :  
 \*0/2 GHz

**MECHANICAL CHARACTERISTICS**

Center contact retention		
Axial force – Mating end	<b>6</b>	N mini
Axial force – Opposite end	<b>6</b>	N mini
Torque	<b>NA</b>	N.cm mini
Recommended torque		
Mating	<b>NA</b>	N.cm
Panel nut	<b>NA</b>	N.cm
Mating life	<b>500</b>	Cycles mini
Weight	<b>0,4100</b>	g

Issue : 0816 C

In the effort to improve our products, we reserve the right to make changes judged to be necessary.

